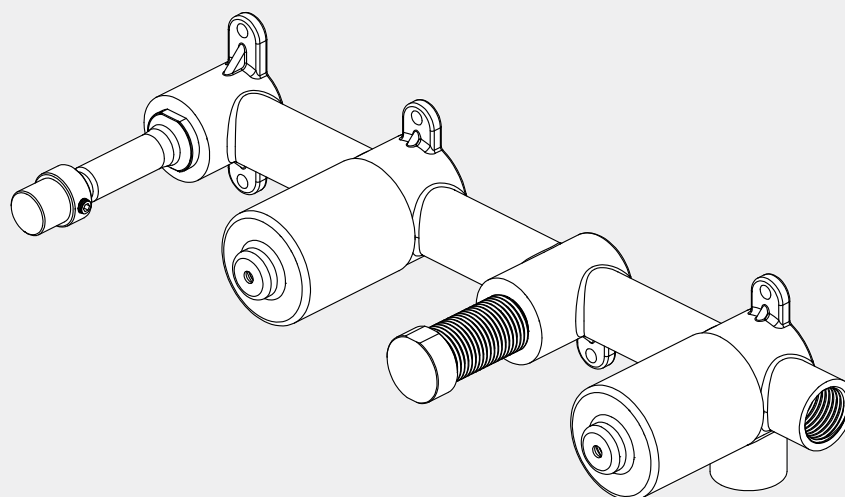


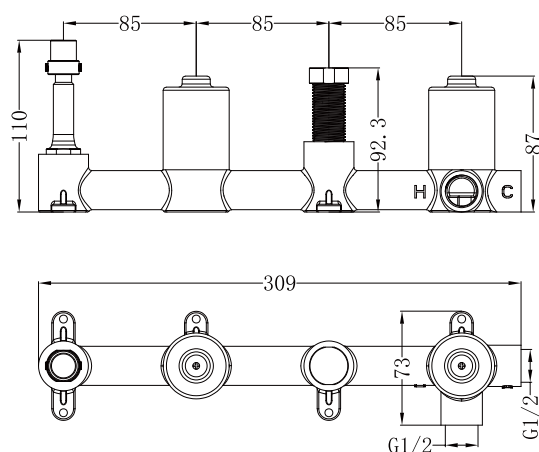
Premium Universal Progressive Shower System With Spout Body Only

Nero



Versions:202401

Drawing



Specifications

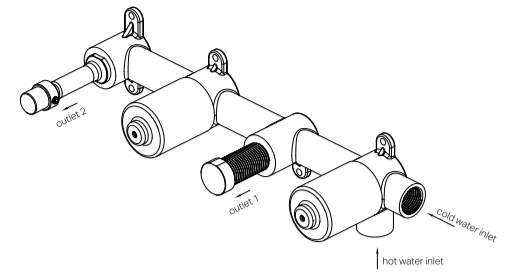
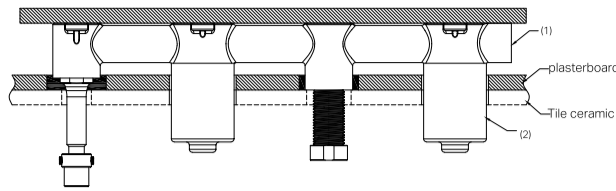
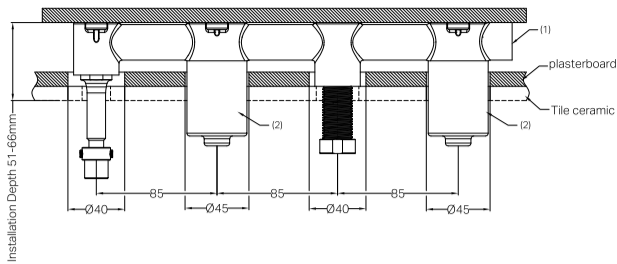
SKU
NRUB006P
Watermark License
WM-060073
Temperature Rating
Min 1°C-Max 75°C
Pressure Rating
Min 150kpa - Max 500kpa

Packaging Includes

1x Mixer Body

*Dimensions are nominal measurements only.

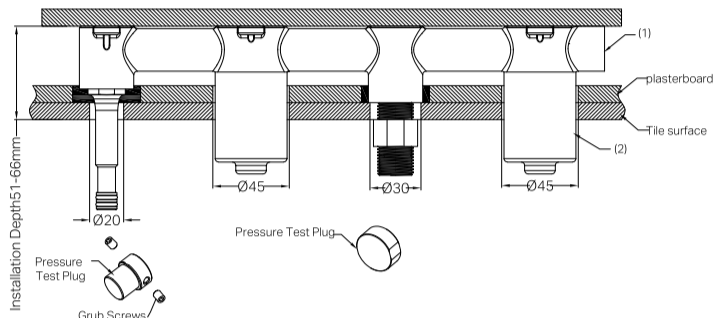
Installation Instruction For Shower System Body Only



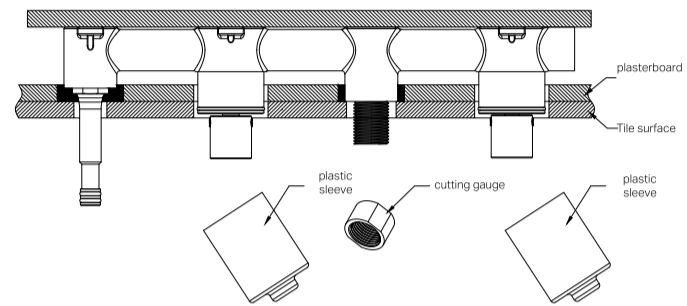
1. Fit off in-wall mixer body into wall structure, and ensure the installation depth is 51-66mm from the tile surface.
2. Connect hot, cold water lines. Test and check for leaks.
3. Install the plasterboard and make holes with diameters of Ø40, Ø45, Ø40, and Ø45.

4. Apply waterproofing between the plasterboard and the mixer body (1) to prevent any potential leaks.
5. The in-wall mixer body installation is complete. Check for leaks.

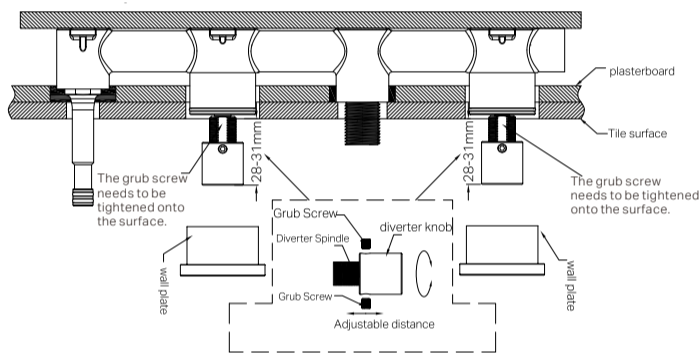
Installation Instruction For Shower System Trim Kits Only



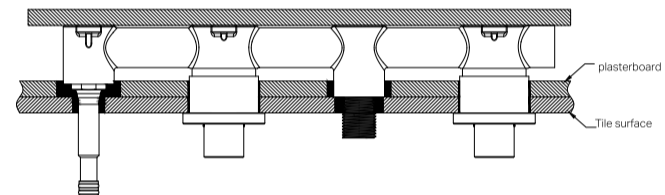
1. Install tiles and drill holes with diameters of Ø20, Ø45, Ø30, Ø45.
2. Remove the pressure test plug.
3. Assemble the cutting gauge onto the mixer body, make it flush with the tile surface, and trim off any excess part after assembly.



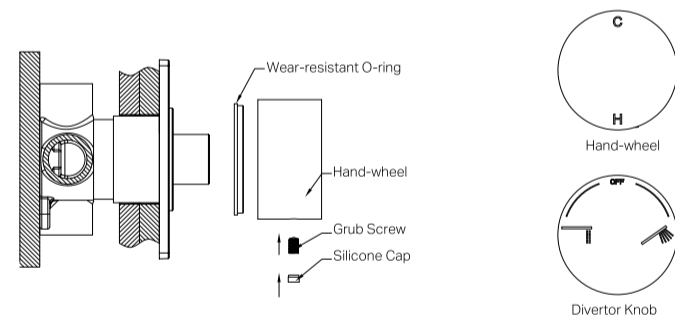
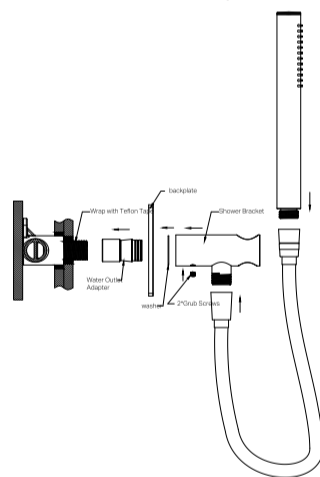
4. Remove the cutting gauge and protective sleeves.



5. Adjust the distance between the Diverter knob and the tile surface to 28-31mm as shown in the diagram.
6. Place the wall plate onto the mixer body.



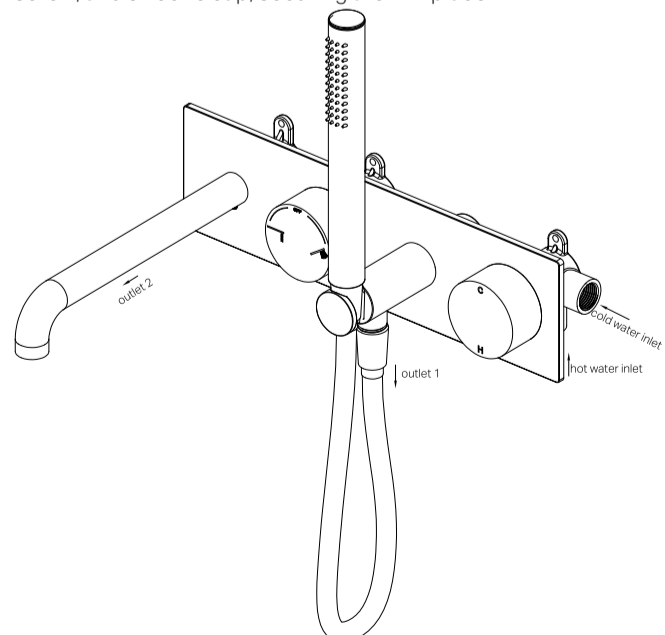
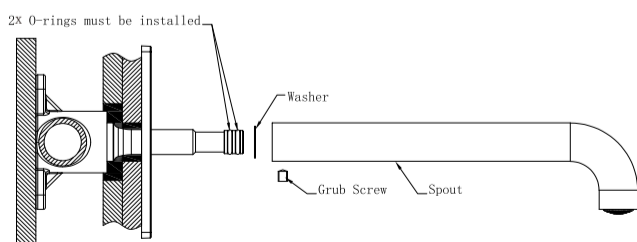
7. Apply waterproofing in the gap between the ceramic tile and the water outlet.



8. Thread the water outlet adapter onto the in-wall body, and seal with Teflon tape.
9. Assemble the Backplate, washer, and shower bracket onto the main body, then secure with screws.
10. Attach the shower hose and hand shower, securing them in place.

Follow step 11 to install the Hand-wheel and the Diverter Knob

11. Attach the wear-resistant O-ring, hand-wheel/ Diverter knob, grub screw, and silicone cap, securing them in place.



12. Assemble washer, and spout onto the mixer body, then secure with grub screws. Please Note: Waterproofing is required.

13. Installation is now complete. Test for leaks.

Nero

info@nerotapware.com.au
nerotapware.com.au

11-13 Buontempo Road
Carrum Downs Vic 3201

