

Product information sheet ARTONA-S Vario

Item no. 525099

Benefits



- Insulated pull-down handspray with dual spray patterns
- 180° swivel for optimal range of motion
- Solid brass construction
- Ceramic disc cartridge
- 2.2 GPM flow rate

Colours



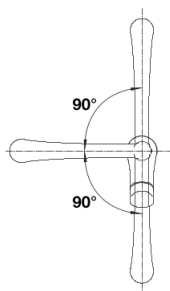
Available colours:
anthracite/PVD steel
white/PVD steel

SILGRANIT Look dual finish PVD steel anthracite/PVD steel

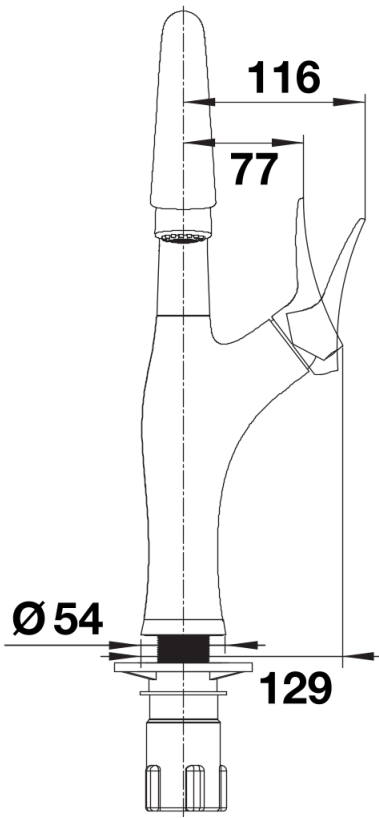
Scope of supply

- 180° swivel spout for greater reach
- Ø 35 mm tap hole required
- With ceramic disk cartridge
- Textile covered spray hose
- Covered spray hose with change-over button on the back
- Flexible connector pipes, 500 mm long and ½" nut for particularly easy installation
- Patented jet regulator for markedly reduced scaling
- Stabilisation plate to increase the stability of the tap when fitted in stainless steel sinks
- With non-return valve and thus guaranteed against reflux in accordance with EN 1717

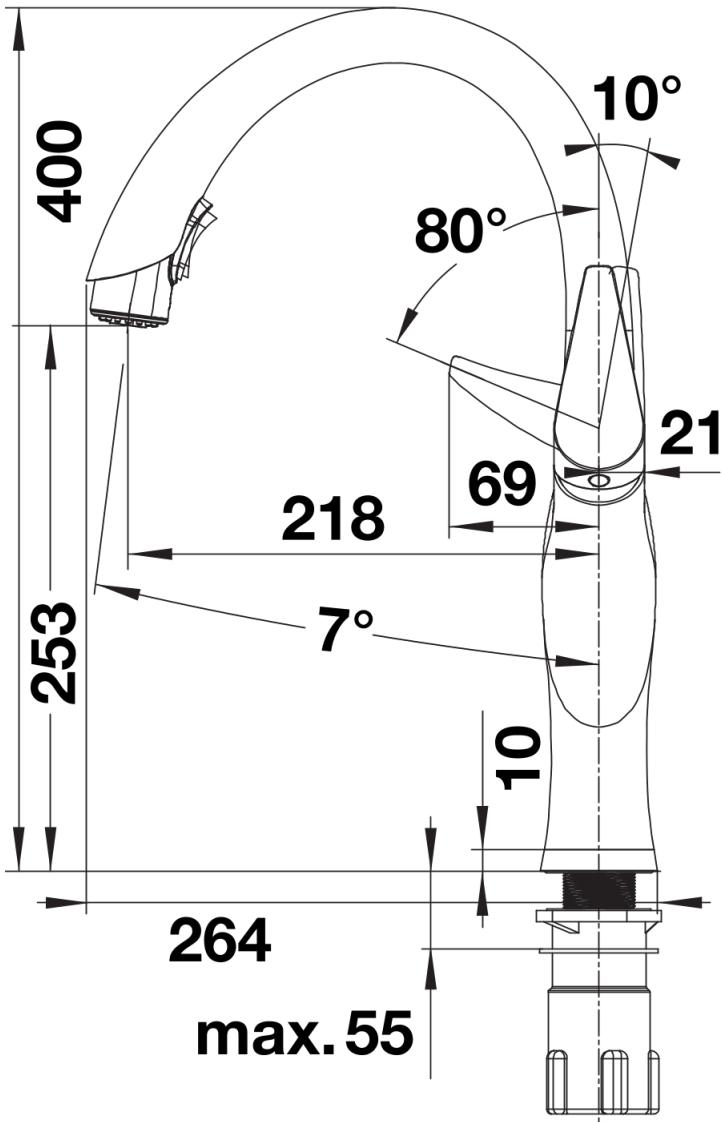
Details



Swivel range



Side view hand gear 2D



Side view