

60cm Freestanding Dishwasher

Black Stainless Steel

AESTHETICS

Black Stainless Steel Finish

Button Controls with LED Indicators

FUNCTIONALITY

Capacity: 14 Place Settings

6 × Wash Programs

Adjustable, Pull-Out Top Basket

Third-layer Cutlery Drawer

Stainless Steel Tub & Base

3, 6, 9hr Delay Start

75° C Max Water Temperature

Triple stage Filtration

Half Load Function

Extra Dry Function

FUNCTIONS

1. Intensive

2. Heavy

3. ECO

4. 90 min

5. Glass

6. Rapid

SAFETY

Child Lock

AquaStop Overflow Protection

SIZE, W/D/H (MM)

Packaged 645 × 645 × 871

Physical 598 × 600 × 845*

WEIGHT (KG)

Net: 45 Gross: 49.5

MAX NOISE LEVEL

49 dB(A) re 1 pW

CONSUMPTION

Energy Rating (MEPS) 3.5 Stars

Energy Consumption 259 kWh per year

Water Rating (WELS) 4.5 Stars

Water Consumption 12L per wash

INSTALLATION

Freestanding or Built-in

Water Connection Cold Water

Length of Hose 1.8m

Inlet / Drain 1.5m / 1.6m

Water Pressure: 0.04–1.00MPa

POWER REQUIREMENTS

Supplied Plug 10 amp

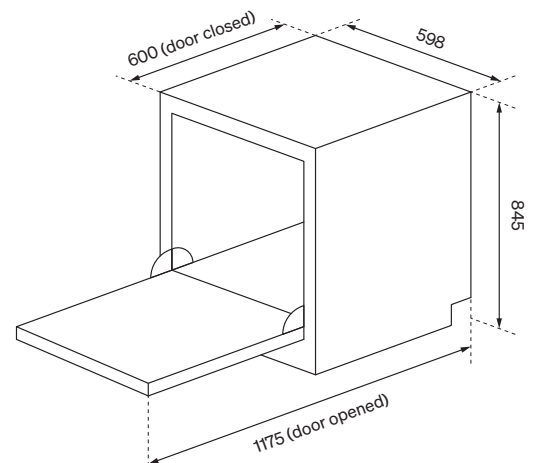
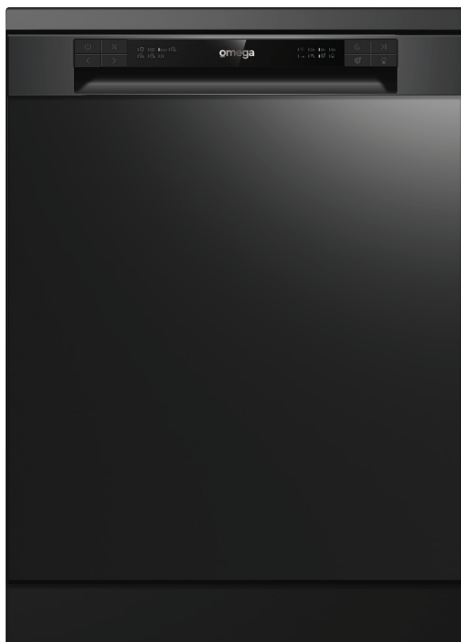
Rated Voltage 220–240V

Rated Frequency 50Hz

ADDITIONAL DETAILS

Barcode 9349260096394

Warranty 3 Years



* Height can be reduced to 815mm for built-in installation. See the user manual for detailed ventilation and installation details.