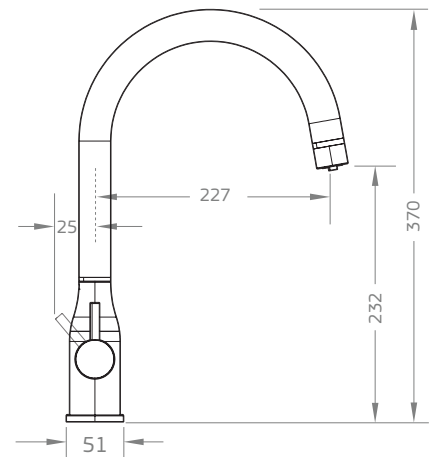
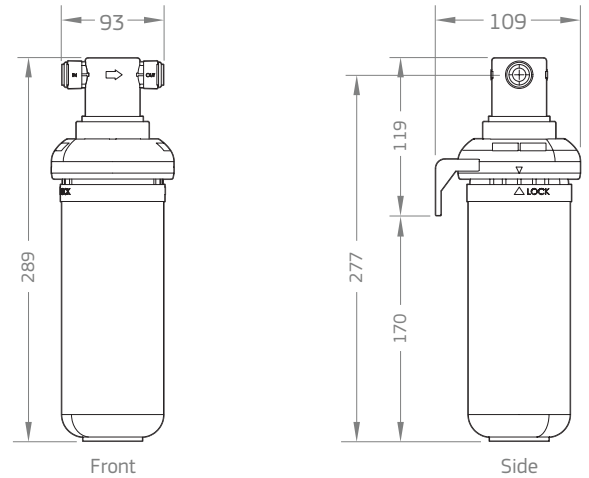


Z1 Tripla™ Elite-10 Series






Tripla Elite-10 tap paired with a Z1 filter

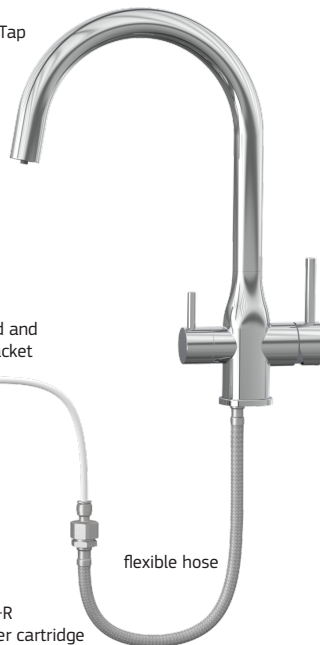
MAINS WATER



Parts Included

Tripla™ Elite10 3-Way Mixer Tap

-  Gunmetal
-  Matt Black
-  Brushed Nickel
-  Bright Chrome
-  Brushed Gold



white tubing

MultiValve



User guide

Specifications

Ordering Code	Pressure kPa	Flow (Lpm)	Micron Rating	Connection	Cartridge Size	Tripla™ Elite Tap Color
Z1-E10-BG	200-520	5	0.1	1/2" BSP x 1/4" Tube	10"	Brushed Gold
Z1-E10-BN	200-520	5	0.1	1/2" BSP x 1/4" Tube	10"	Brushed Nickel
Z1-E10-CH	200-520	5	0.1	1/2" BSP x 1/4" Tube	10"	Bright Chrome
Z1-E10-GM	200-520	5	0.1	1/2" BSP x 1/4" Tube	10"	Gunmetal
Z1-E10-MB	200-520	5	0.1	1/2" BSP x 1/4" Tube	10"	Matt Black

Notes:

Tripla™ Elite10 taps have 5 Stars Wels Rating. 5Lpm flow. Minimum pressure 50kPa. 100% stainless steel. Required tap hole: 35mm.
Replacement cartridge code: Z1-R. Capacity: 30,000L.

Warranty:

Tripla™ Elite warranty^ is 2 years parts and labour, plus 13 years parts only. Puretec Quick-Twist Filter System warranty is 1 year parts and labour, plus 9 years parts only. Excludes cartridges.



OCT 2023

For more information contact your local stockist or visit us at puretecgroupp.com

Australia **1300 140 140** | New Zealand **0800 130 140**



Note : 1. No claims can be made based on the specifications and images in this document. The design, technology, colours, features and prices are subject to change.
2. This document and all its contents are copyright protected. All rights are reserved, particularly alteration, translation and reproduction using electronic systems.
3. *Warranties in this document cover parts for the period stated and include cover for parts and labour for the first year where applicable, subject to approval. Excludes consumables.
Our Water Filtration Specialists can provide you with advice to suit your needs.