

Range	Eadie
Mount	Floorstanding
Size	800
SKU	EAD-VCO-800-L-X-F

TOP DETAILS

Available Tops 1. Nano Dolomite

NOTES

Revision 01

Date 29/08/23

DIMENSIONS SHOWN ARE IN MILLIMETERS, ARE NOMINAL ONLY AND SUBJECT TO CHANGE AT ANY TIME.

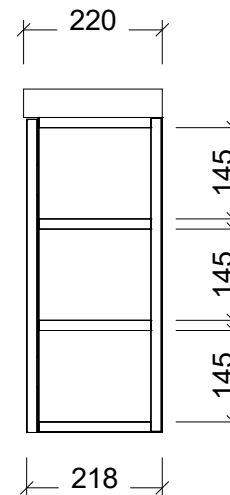
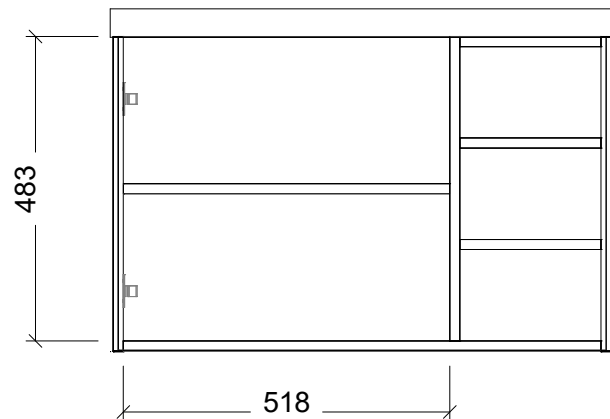
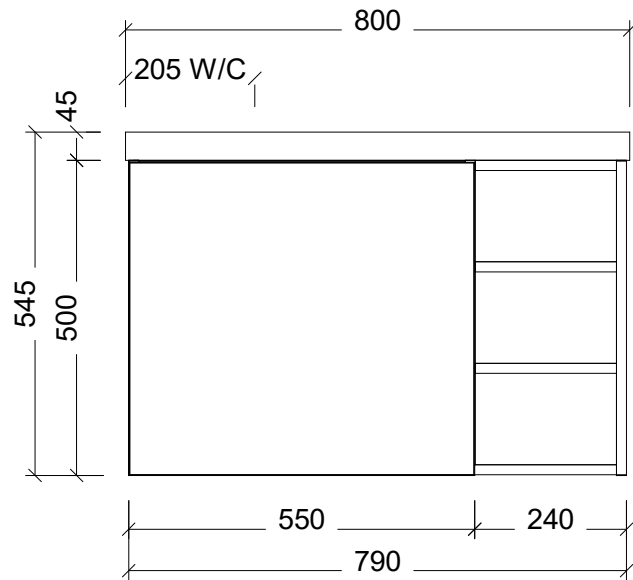
DO NOT SCALE DRAWINGS. INSTALLER TO CONFIRM ALL DIMENSIONS ON-SITE PRIOR TO INSTALL.

SIZE VARIATION (+/- 3%) IS TO BE EXPECTED ON CERAMIC TOPS. E&OE.

Copyright ©

Timberline

22 Myrtle Drive, Armidale NSW 2350
www.timberline.com.au
 02 6773 8500



Range	Eadie
Mount	Wall Hung
Size	800
SKU	EAD-VCO-800-L-X-W

TOP DETAILS

Available Tops 1. Nano Dolomite

NOTES

Revision 01

Date 29/08/23

DIMENSIONS SHOWN ARE IN MILLIMETERS, ARE NOMINAL ONLY AND SUBJECT TO CHANGE AT ANY TIME.

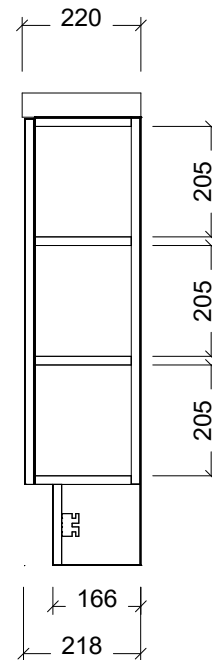
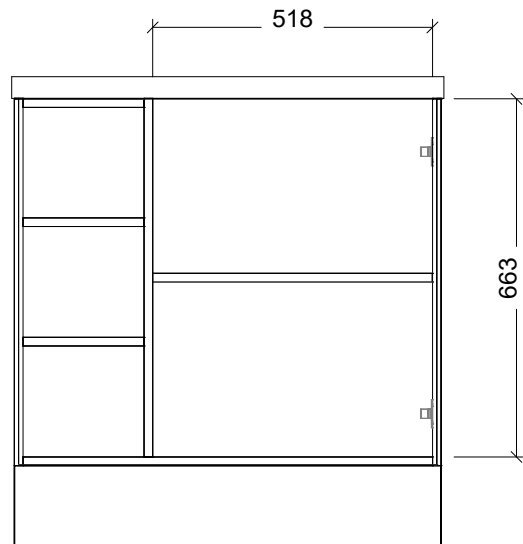
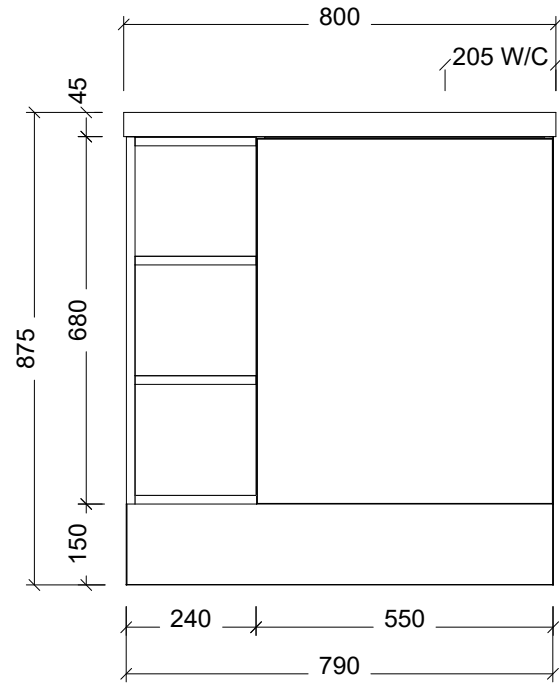
DO NOT SCALE DRAWINGS. INSTALLER TO CONFIRM ALL DIMENSIONS ON-SITE PRIOR TO INSTALL.

SIZE VARIATION (+/- 3%) IS TO BE EXPECTED ON CERAMIC TOPS. E&OE.

Copyright ©

Timberline

22 Myrtle Drive, Armidale NSW 2350
www.timberline.com.au
02 6773 8500



Range	Eadie
Mount	Floorstanding
Size	800
SKU	EAD-VCO-800-R-X-F

TOP DETAILS

Available Tops 1. Nano Dolomite

NOTES

Revision 01

Date 29/08/23

DIMENSIONS SHOWN ARE IN MILLIMETERS, ARE NOMINAL ONLY AND SUBJECT TO CHANGE AT ANY TIME.

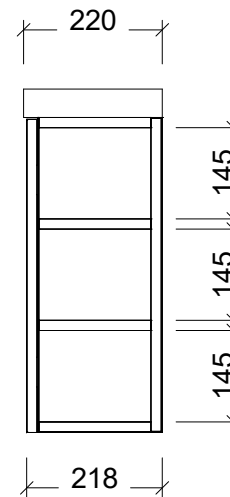
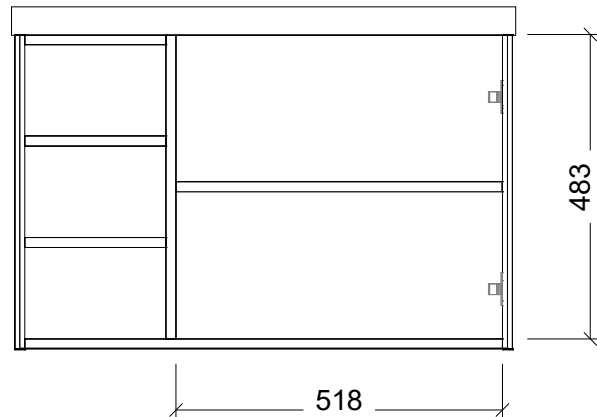
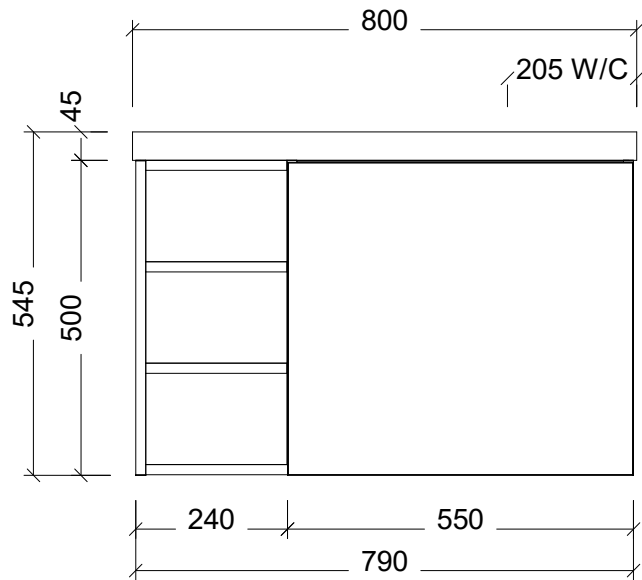
DO NOT SCALE DRAWINGS. INSTALLER TO CONFIRM ALL DIMENSIONS ON-SITE PRIOR TO INSTALL.

SIZE VARIATION (+/- 3%) IS TO BE EXPECTED ON CERAMIC TOPS. E&OE.

Copyright ©

Timberline

22 Myrtle Drive, Armidale NSW 2350
www.timberline.com.au
 02 6773 8500



Range	Eadie
Mount	Wall Hung
Size	800
SKU	EAD-VCO-800-R-X-W

TOP DETAILS

Available Tops 1. Nano Dolomite

NOTES

Revision 01

Date 29/08/23

DIMENSIONS SHOWN ARE IN MILLIMETERS, ARE NOMINAL ONLY AND SUBJECT TO CHANGE AT ANY TIME.

DO NOT SCALE DRAWINGS. INSTALLER TO CONFIRM ALL DIMENSIONS ON-SITE PRIOR TO INSTALL.

SIZE VARIATION (+/- 3%) IS TO BE EXPECTED ON CERAMIC TOPS. E&OE.

Copyright ©

Timberline

22 Myrtle Drive, Armidale NSW 2350
www.timberline.com.au
02 6773 8500