

# MIXX

tapware & accessories

## ANISE CARE COLLECTION

**Item Code:** 11SL759CD

**Finish:** Chrome

**WELS Reg. No:** T39867

**Cartridge:** 35mm German  
Ceramic Disc Cartridge

**Pressure Rating:** 1500kPa

**Operating Temp:** 1-80°C

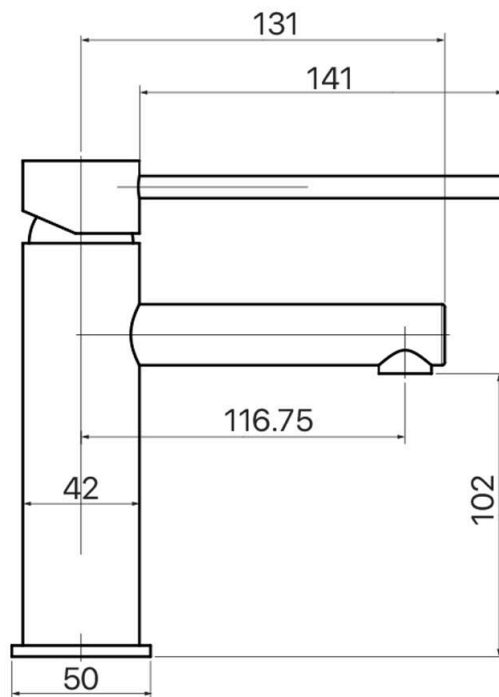
**Tails:** European SOFTPEX

Corrosion Resistant Tails

**Material:** Brass



## ANISE CARE BASIN MIXER STRAIGHT SPOUT



A BRAND BY  
**BRASSHARDS**  
— GROUP —