

# Tono® Care

## MEDIUM BASIN MIXER

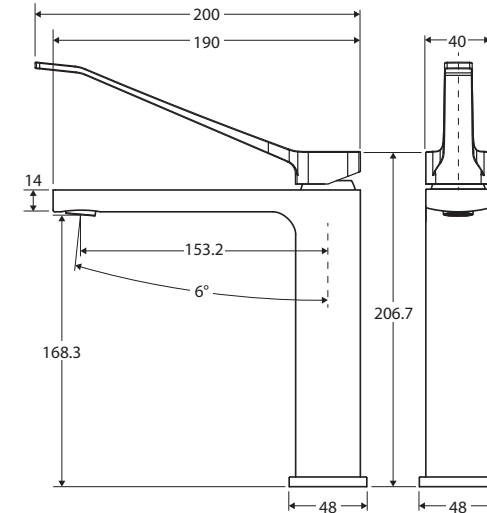
### Features

WELS 6 Star rated, 4.5L/min

- Can be installed for AS 1428.1:2021 Accessible Compliance
- Long handle for easy reach and operation
- Large red and blue indicators for hot and cold markings
- Made from eco-friendly lead-free brass\*
- High quality European cartridges (35 mm)
- PEX split-resistant hoses

**Please note:** This product may have a visible Fienza or Watermark logo.

\*Defined as containing less than 0.25% lead.



### Available in



Electroplated  
Chrome  
**233110D**



Electroplated  
Matte Black  
**233110DB**



PVD  
Brushed Nickel  
**233110DBN**



PVD  
Gun Metal  
**233110DGM**



PVD  
Urban Brass  
**233110DUB**

### Cleaning & Care

- Regularly clean with mild soapy water using a microfibre cloth.
- In highly polluted or coastal locations, we recommend cleaning 2-3 times per week.
- Do not use harsh detergents, bleach, cream cleaners or citrus based cleaners. These substances are abrasive and will damage the surface.
- Do not use undue pressure and wipe in one direction only.



We aim to ensure that specifications are correct at the time of publication. All measurements are shown in millimetres. Always use measurements of actual product received for final specification as the technical drawing may contain differences. Due to printing limitations, physical colour may vary from the image shown. Fienza reserves the right to make modifications without prior notice.