

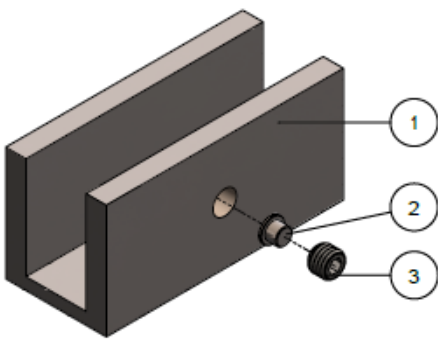
# MGA03N

## Glass U-Bracket

meir®



### EXPLODED VIEW



No.	Part Name	Qty
1	Baseboard	1
2	Gasket	1
3	Screw	1

### CARE

- Do not install tapware using any form of acetone silicones.
- Do not apply physical items (such as tools) directly to product.
- Never use house-hold or commercial detergents, citrus based cleaners, or abrasive cleaners.
- Clean using a mild washing soap solution rinsed, and dry with a soft cloth.
- Check for any product defects before installation.
- Refer to the installation manual for correct installation.

### FEATURES

- Refer to the Meir website for warranty terms & conditions, and available finishes.
- Solid brass construction
- For 8mm or 10mm glass thickness.

### SPECIFICATIONS

