

Headworks Available:
 Jumper Valve (Standard)
 Ceramic Disc 3/4 Turn (Optional)
 Ramseal (Optional)

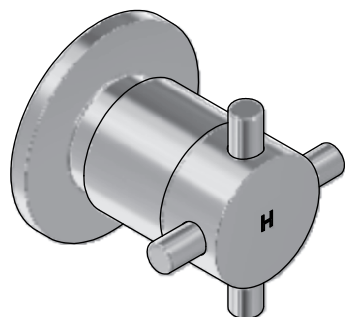
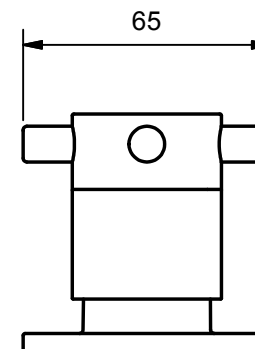
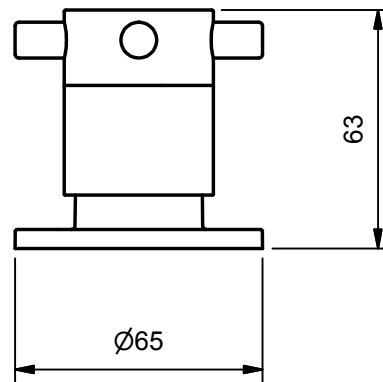
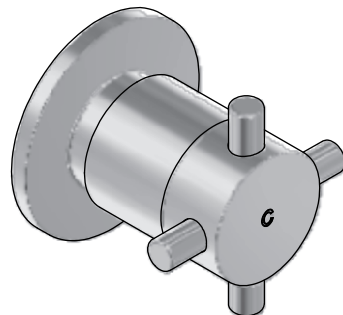
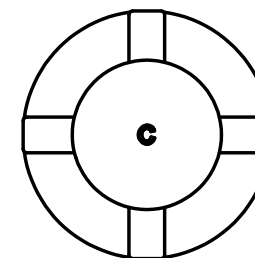
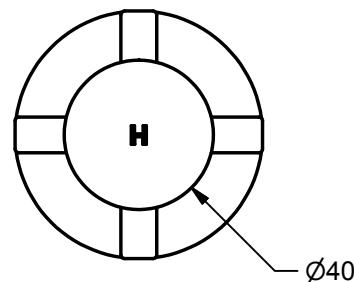
PRICED AND PACKED IN PAIRS

Handles are *Secure Fit* - Fit with key supplied.

Maximum Hydrostatic Pressure: 1000kpa
 Minimum Hydrostatic Pressure: 150kpa
 Maximum Water Temperature: 80°C

Mounting Holes:

- Taps - Min $\varnothing 32\text{mm}$
- Spout - Min $\varnothing 21\text{mm}$



RAMTAPS PTY. LTD.
 556 Curtin Ave. East. Eagle Farm 4009.
 Ph. (07) 3633 6000. Fax (07) 3633 6050.

As part of Ramtaps commitment to quality products, Ramtaps reserves the right to alter the design or specification of it's products without notice.

© 2009 All dimensions in mm.
 This drawing remains the property of Ramtaps and should not be copied or distributed without Ramtaps consent.

Title
PARK CROSS HANDLE WALL TOP ASSEMBLY

Code:	PKCWSCP	Edition	02	Date of Issue:	15/08/2016
-------	---------	---------	----	----------------	------------