

45cm Compact Oven

COMBINATION COOKING

PRODUCT CODE: **EO45SMWBL2**



cooking range

3
YEARS

Warranty

SAFETY INFORMATION

- The heating and cooking surfaces of the appliances become hot when in use, take all due precautions.
- Never leave the appliance unattended when cooking.
- Please refer to the manual for more information

KEY FUNCTIONS:



MICROWAVE

Ideal for quick cooking or re-heating food



STEAM

This modern healthy cooking method keeps the food juicy and locks in more nutrition and goodness



CONVECTION

The top and bottom elements activate to provide a traditional style of cooking suitable for slow cooking cakes and delicate pastries



COMBINATION FUNCTION

Combination cooking enables you to cook using both grill and microwave function to provide conventional cooking results. These include microwave + grill, microwave + fan grill, microwave + convection, microwave + steam, convection + steam



PREHEAT

This function allows the oven to be rapidly preheated, before choosing a cooking function. The preheating ends when its pre-set temperature is achieved by the oven

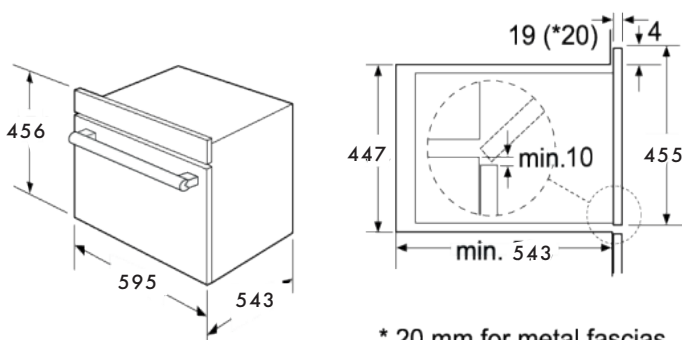
FEATURES:

- + Touch control LCD display
- + Cavity LED light
- + Innovative steam technology function
- + 1.4L water tank
- + Temperature control for selected cooking function
- + Child safety lock
- + Triple glazed removable door
- + Stainless steel steam pan x 1, enamel tray x 1 + grill rack x 1 included
- + Stainless steel cavity
- + Black finish
- + Warming drawer to match (optional) EVWDB

SPECIFICATIONS:

Electrical Requirements	220-240V / 50Hz 15 amp hard wired connection required	
Power Consumption	Input power (microwave)	1500w
	Output power (microwave)	1000w
	Max power (steam)	3050w
	Max power (baking)	3029w
	Max power (steam-baking)	2129w
Volume Capacity/ Dimension	39l cavity size	595W x 566D x 455H (mm)
Weight	45.7kg	
Barcode	9347726035482	

PRODUCT DIMENSIONS



* 20 mm for metal fascias