

Zen SS316L 300mm Round Shower Head

Finish & SKU

	Brushed Bronze NR508041BZ		Graphite NR508041GR
	Brushed Gold NR508041BG		Brushed Nickel NR508041BN

Specifications

Watermark License

WM-060093

Temperature Rating

Min 1°C-Max 75°C

Pressure Rating

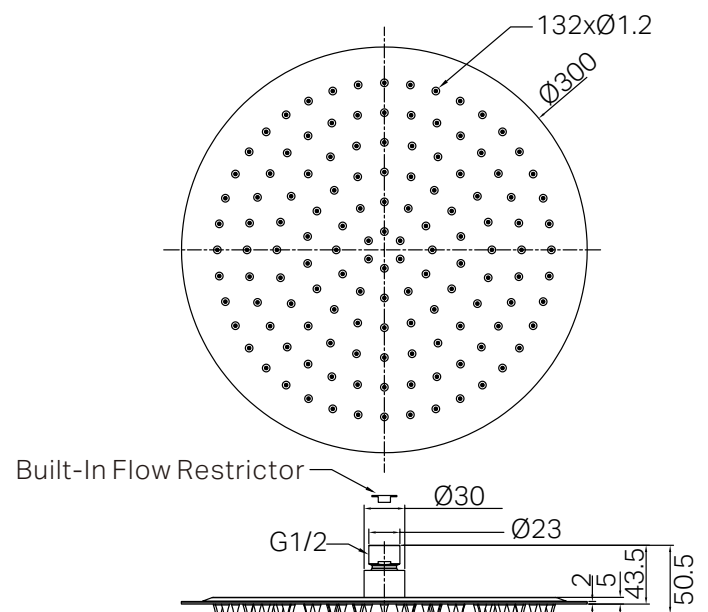
Min 150kpa-Max 500kpa

Features

- Single function 316L stainless steel overhead shower 300mm overhead spray
- Rub clean nozzles
- Shower head thickness 5mm, creating a sleek minimal profile
- Operating weight should be considered with wall and ceiling arm installations

Maintenance And Care

- Regularly check the mixer and connections for signs of wear or leaks.
- Clean the tap with mild soapy water to maintain its appearance, avoiding harsh chemicals and abrasive materials that may damage the finish.



- Dimensions are nominal measurements only.