

Congratulations! You have just purchased one of the premium products from 3monkeez washroom accessories range.
Proudly manufactured to Australian Standards

Model : WA-TRH6**Features:**

- Suits jumbo rolls with 70mm core and up to Ø235mm x 108mm
- Unit fitted with key lock.

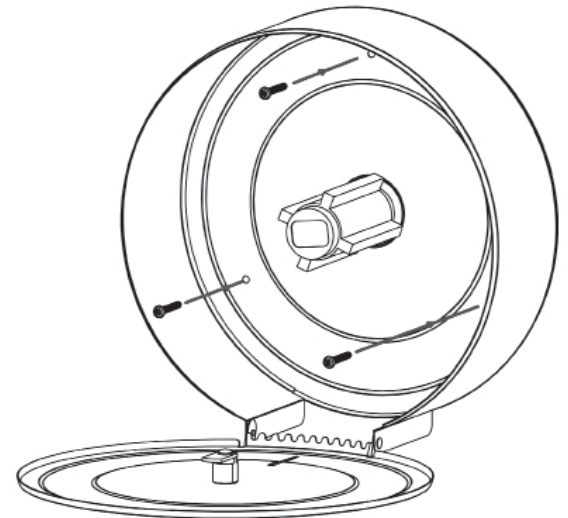
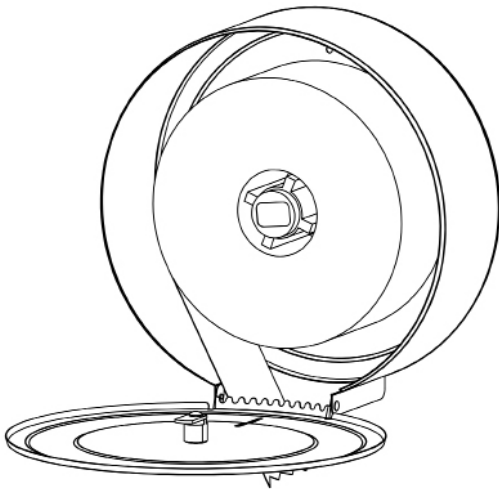
IMPORTANT INFORMATION

Note: Please follow the below procedures. If the below procedures are not followed it may impact the life of some components and void warranties.

- It is recommended that this product be installed by a licensed tradesperson.
- Installation height and location may be subject to Australian Building Code Regulations.
- This product may also be subject to height and location conditions to comply with AS1428.1 for accessibility.
- It is the responsibility of the installer to fix the washroom accessory in the correct position.
- Depending on the model, fixings and wall anchors may not be included with this product.
- It is the responsibility of the installer to use the most suitable fixings and fasteners appropriate to the job.

INSTALLATION INSTRUCTIONS

1. Work out correct height and position for the toilet roll holder.
2. Make sure the unit is level.
3. Use the mounting holes at the back of the toilet roll holder to mark fixing points.
4. Drill wall for the fixing hardware. Fasten the unit to the wall.
5. Check the unit is level and tighten the fixings.



To place toilet roll;

- Unlock front cover and swing down.
- Pull a small section of paper loose.
- Place jumbo roll onto holder.
- Pull loose end of roll through access hole.
- Close front cover and lock

STAINLESS STEEL MAINTENANCE AND CLEANING INSTRUCTIONS

Stainless steel products must be cleaned on a regular basis to maintain the ability to resist corrosion.

Cleaning stainless steel products is an easy task when done regularly:

- Clear away all food and water from the surface with a microfiber cloth or soft sponge; don't use abrasive materials that cause scratching.
- Once cleared of debris, go over the surface with a food safe stainless steel cleaner, bicarb soda or mild detergent and water.
- The best chemicals for stainless steel contain alkaline and don't have chloride in them.
- To remove stubborn stains, use a good quality stainless steel cleaner and non abrasive cloth
- Rinse thoroughly with clean fresh water
- Drying the product with a soft, dry absorbent cloth will prevent mineral deposits building up on the surface of the product.
- Once dry, use a food safe stainless steel or metal polish.
- Follow the grain of the metal to ensure the best results and to avoid further damage to the surface.
- Always keep the product clean and dry when not in use.
- Don't leave anything citric on the product as it can etch the surface over time.
- Don't leave soaps and other cleaners on your stainless steel product overnight.
- Don't leave damp sponges or cloths on the inside or edge of the product when not in use.

TIP - Cleaning your stainless steel equipment after each use as above will ensure the product remains in good condition.