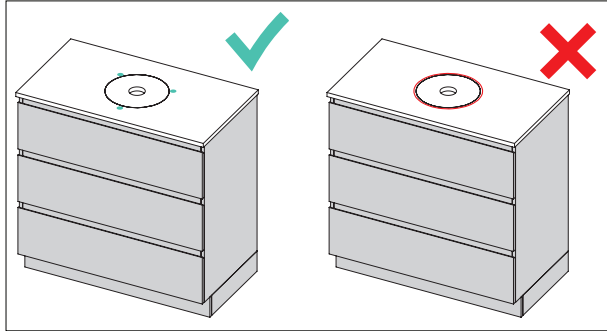




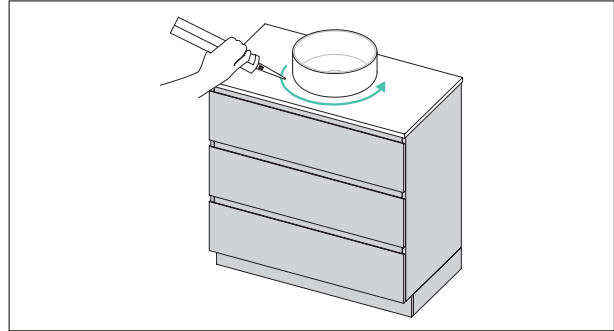
## Above Counter Basins

Note: Basin replacement in the future is an important factor to consider when fixing and sealing basins. By limiting silicon application as per instructions allows basin removal without damage to benchtops.



Apply 20mm silicon dots to hold basin in place, limit to 3 fixing points to enable future basin removal.

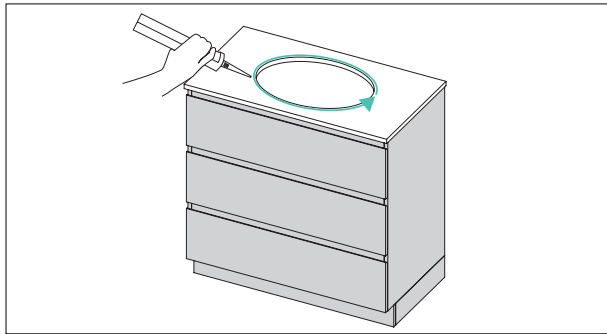
**DO NOT** apply a bed of silicon to fix basin to benchtop as this will make it difficult in the future to replace basin.



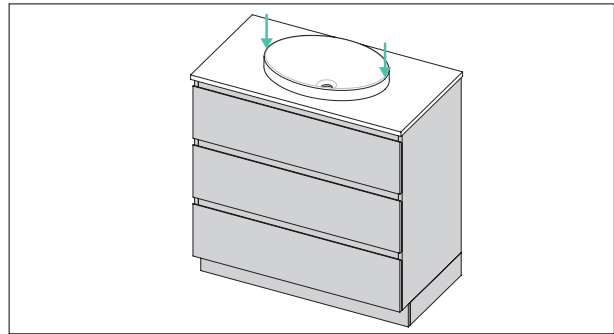
Once basin is in final position and plumbing is finished, put a bead of silicon around the edge to seal and fix in place.

Wipe down any excess silicone with a soft wet cloth.

## Semi-Inset / Inset Basins



Using a non-acidic silicone, apply a continuous bead of silicon around the entire basin cut-out in the benchtop.

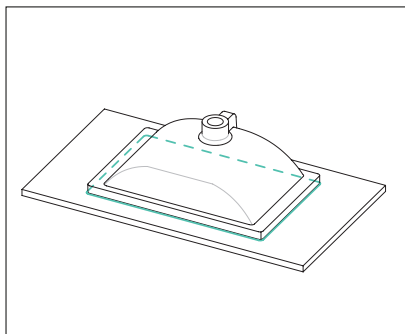


Place semi-inset or inset basin into benchtop cut-out and press down firmly into positioning in place.

Wipe down any excess silicone with a soft wet cloth.

## Under-Counter Basins

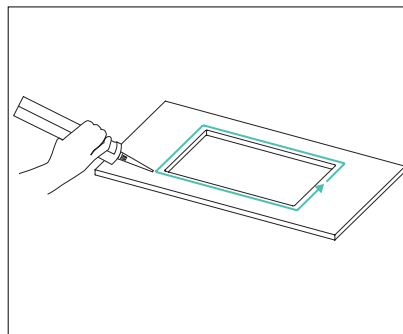
Please note: if buying a benchtop and vanity from ADP, your ADP under-counter basin will come already installed.



Lay the benchtop down on a flat surface, with the underside facing up.

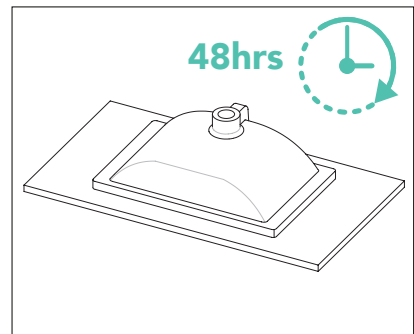
Place under-counter basin in position at the cut-out. With a marker, mark the outside of the basin so it is easy to position in the next steps.

Note: if using basin mixer, ensure there is enough room at the back or side of the basins for the basin mixer fixing to be tightened.



Using a non-acidic silicone, apply a continuous bead of silicon around the entire basin cut-out between the cut-out and the marked basin edge.

Place basin down in position on the silicon, using the marked line to guide you. When available use under-mount basin clips for best support (ADP do not supply).



Let dry face down for 48hrs (or longer in colder climates). Once dry, flip benchtop over and install on vanity cabinet.

Wipe down any excess silicone with a soft wet cloth.