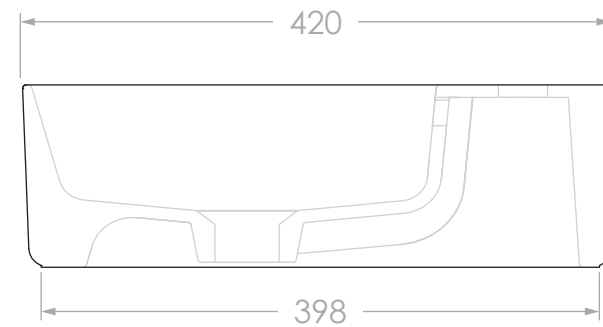


5L CAPACITY  
TO OVERFLOW



PRODUCT:	JILL BASIN
SIZE:	420W x 420D x 130H
CODE:	TOPCJIL4242*
VERSION: 01	DATE: 02/07/2024

CAPACITY:	5L TO OVERFLOW
STYLE:	ABOVE COUNTER
MATERIAL:	CERAMIC
FINISH:	GLOSS WHITE (TOPCJIL4242GW) MATTE WHITE (TOPCJIL4242MW)

NOTES:	DIMENSIONS ARE NOMINAL. DO NOT DRILL OR ROUGH IN UNTIL YOU HAVE RECEIVED AND MEASURED YOUR PRODUCT. ALL DIMENSIONS ARE IN MILLIMETRES. DO NOT MEASURE FROM DRAWING. BASIN SUITS 32MM WASTE. ADP UNIVERSAL PLUG AND WASTE RECOMMENDED (SOLD SEPARATELY). DUE TO THE MANUFACTURING NATURE OF CERAMICS, +/-5MM VARIATION IN SIZE AND DETAIL CAN BE EXPECTED.
--------	---