






3-Function Shower Rail

Finish & SKU

- | | |
|---|---|
|  Chrome
NR314aCH |  Brushed Nickel
NR314aBN |
|  Matte Black
NR314aMB |  Brushed Gold
NR314aBG |
|  Gun Metal
NR314aGM | |



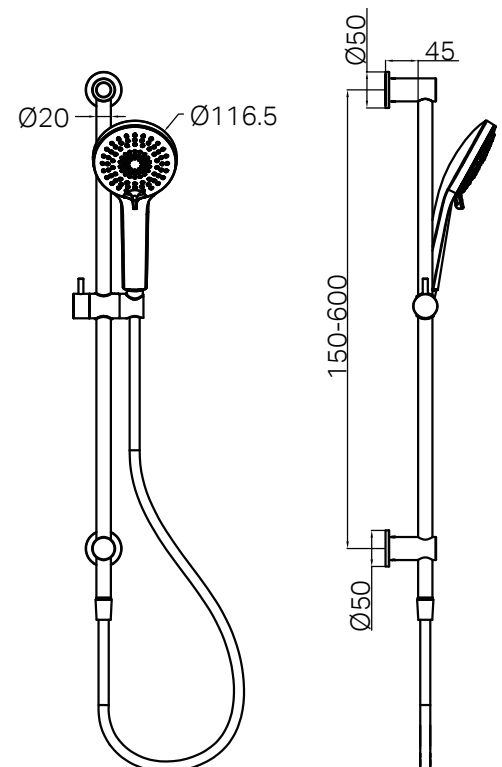
Specifications

- | | |
|---|---|
| Watermark License
WM-060093 | Pressure Rating
Min 150kpa-Max 500kpa |
| Temperature Rating
Min 1°C-Max 75°C | |



Features

- 3 Function hand shower.
- Dual check valve complies with AS/NZS 3500 standards for backflow prevention.
- 1.5 meter smooth PVC hose.
- Top water inlet for easy connection.
- Adjustable bottom bracket for flexible installation.
- Stylish design to complements a modern aesthetic.
- Available in 5 premium finishes.



Maintenance And Care

- Regularly check the mixer and connections for signs of wear or leaks.
- Clean the tap with mild soapy water to maintain its appearance, avoiding harsh chemicals and abrasive materials that may damage the finish.

- Dimensions are nominal measurements only.